

Dinwiddie County Water Authority

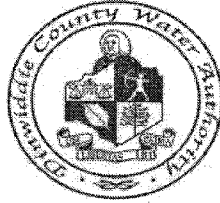
23008 Airpark Drive
North Dinwiddie, Virginia 23803

Telephone
(804) 861-0998
Fax
(804) 861-4270

Joseph R. Patterson
Chairman

John H. Clements
Vice Chairman

Norman C. Olgers, Jr.
Secretary/Treasurer



Gene R. Witt
Board Member

J. Larry Harvell
Board Member

Robert B. Wilson, P.E.
Executive Director

Residential Emeter Policy

Effective Date: July 1, 2014

Background:

An exclusion meter, commonly called an emeter, is used to give credit on the sewer portion of your water and sewer bill for water that is not returned to the sewer. The majority of emeters are used for lawn irrigation or watering large gardens. The Dinwiddie County Water Authority (Authority) bills water and sewer on a one to one ratio. That means a customer's sewer portion of their water and sewer bill is based on the amount of water that passed through the main water meter. Customer's that use a significant amount of water for irrigation or gardens or other outside activities in which water is not returned (collected) to the sanitary sewer may decide to install an emeter.

Requirements:

The requirements for the installation of an emeter are as follows:

- The Dinwiddie County Building Inspector's Office will inspect the backflow preventer installation, mounting and that it is protected from freezing. A permit is required from the Building Inspector's office for the inspection of the backflow preventer. Contact information for the Dinwiddie County Building Inspector's office is (804) 469-4500, press 6, then press 1. Details for backflow prevention are included on the Authority's website, www.dcwa.org, on the [News and Information] page under the article titled "Residential Irrigation Backflow Guide".
- A third party inspection of the backflow preventer device itself is required by a third party certified backflow inspector with documentation sent to both the Dinwiddie County Building Official and Authority.
- The customer shall have a certified plumber install a water meter box and setter (yoke) on a new service line connected at the plumber's connection. The plumber's connection is just outside the meter box, on the homeowner side of the meter box, normally within 18" of the meter box. The meter box and yoke details are attached with the proposed location of the emeter [B].

- The water service line shall be a minimum of ¾" IPS 200 psi and all pipe fittings should be brass or copper (lead free). The meter box and yoke are per Authority specifications and detailed on attached Drawing #175-A.
- The Authority will inspect the installation of the tee, meter box, and yoke. The Authority will set the new radio read meter upon payment and accepted inspection of the installation.
- Customers that choose to install emeters for car washing, pressure washing, etc., may choose to install a frost free hydrant behind the new emeter. Experience has shown, unless a significant amount of water is not returned to the sanitary sewer, you may not want to install an emeter.

Process:

The Authority will read the water meters monthly. At the same time the main water meter is read by computer, the emeter will also be read. With the meters being read at the same time, the customer is given the appropriate credit on the sewer portion of their water and sewer bill for the appropriate meter reading cycle. Both meters will be read year round. When there is no consumption on the emeter, a credit on the sewer portion of the bill will not be given.

Even though the emeter is installed on the customer side of the main meter, the Authority still owns the meter and provides maintenance for the meter itself. In the event the emeter fails or does not provide a signal to be read, the Authority will replace the meter at the Authority's cost. The Authority will not be responsible for the meter yoke, tie in to existing service or any part of the emeter supplied system.

Schedule of Values:

The cost of the 5/8" radio read emeter is \$200.00. The Authority will furnish and install the radio read meter upon payment for the emeter and inspection of the tie-in (tee), meter box and yoke. Meters will not be given to customers upon payment. Meters will be set in the field by Authority field staff.

The customer will be responsible for contacting the Dinwiddie County Building Inspector's office and obtaining and paying for a plumbing permit for the inspection of the necessary backflow prevention. Contact information for the Building inspector's office is (804) 469-4500, press 6, then press 1.

Questions:

If you have any questions or need any additional information, please contact Ben Jones, Operations Manager at (804) 861-0998 ext. 112.

DINWIDDIE COUNTY WATER AUTHORITY

23008 AIRPARK DRIVE • PETERSBURG, VIRGINIA 23803

Telephone
(804) 861-0998

Fax
(804) 861-4270

Joseph R. Patterson
Chairman

John H. Clements
Vice Chairman

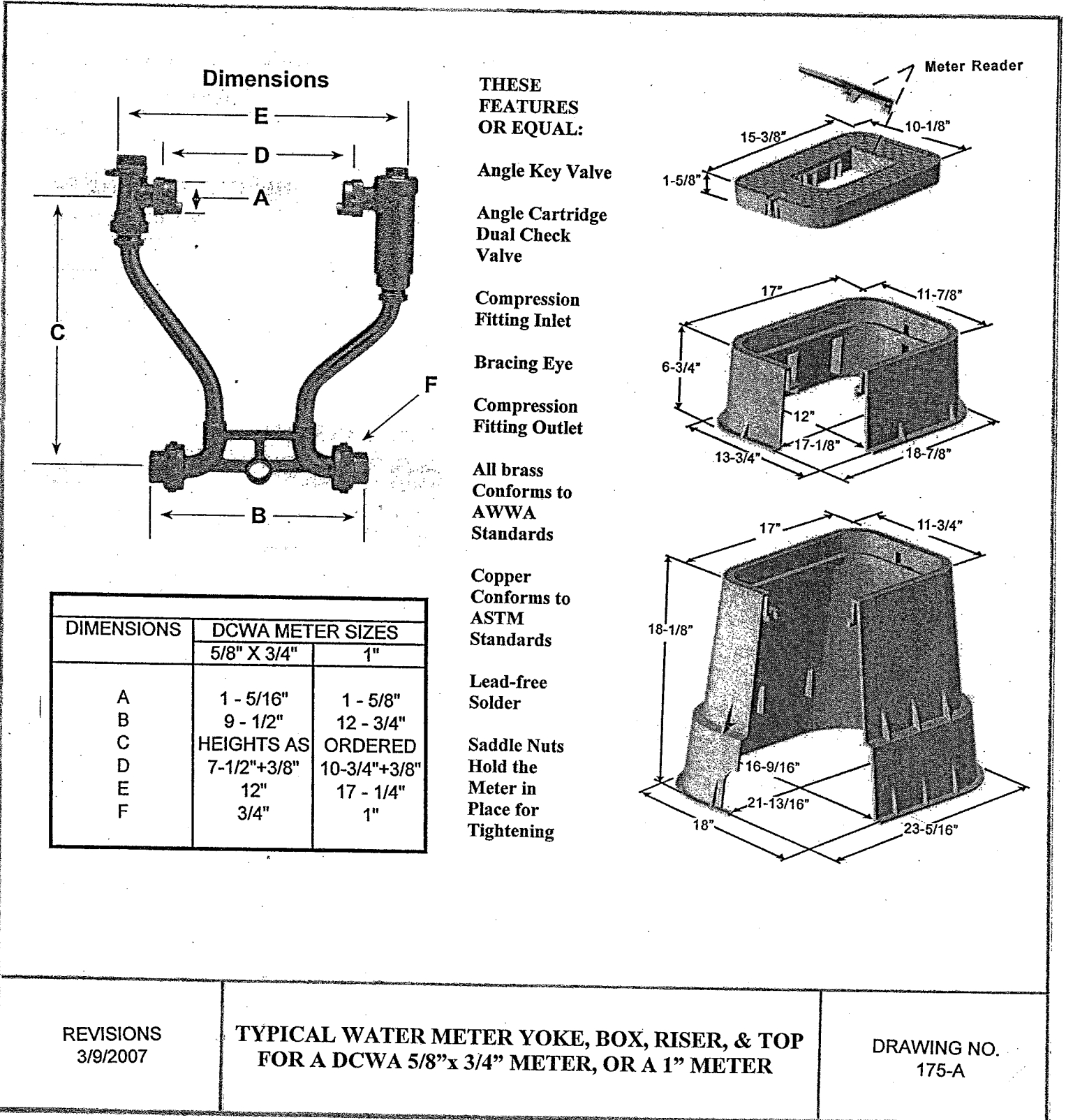
Norman C. Olgers, Jr.
Secretary/Treasurer



Gene R. Witt
Board Member

J. Larry Harvell
Board Member

Robert B. Wilson, P.E.
Executive Director



Dimensions

**THESE
FEATURES
OR EQUAL:**

Angle Key Valve

Angle Cartridge
Dual Check
Valve

Compression
Fitting Inlet

Bracing Eye

Compression
Fitting Outlet

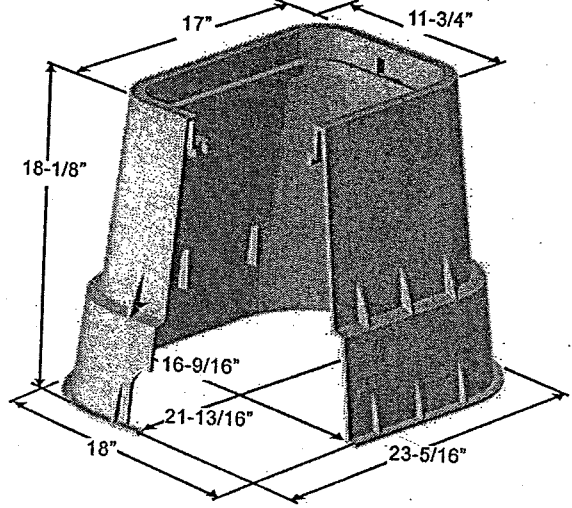
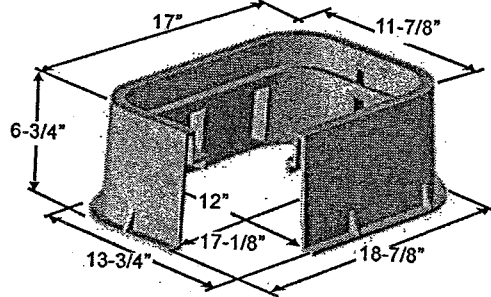
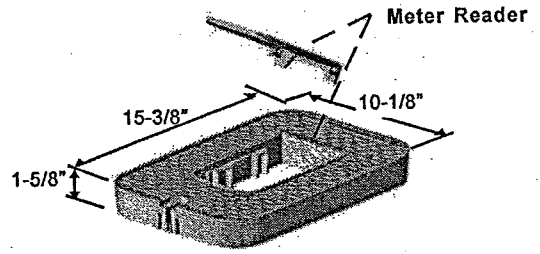
All brass
Conforms to
AWWA
Standards

Copper
Conforms to
ASTM
Standards

Lead-free
Solder

Saddle Nuts
Hold the
Meter in
Place for
Tightening

DIMENSIONS	DCWA METER SIZES	
	5/8" X 3/4"	1"
A	1 - 5/16"	1 - 5/8"
B	9 - 1/2"	12 - 3/4"
C	HEIGHTS AS	ORDERED
D	7-1/2"+3/8"	10-3/4"+3/8"
E	12"	17 - 1/4"
F	3/4"	1"



REVISIONS
3/9/2007

**TYPICAL WATER METER YOKE, BOX, RISER, & TOP
FOR A DCWA 5/8" X 3/4" METER, OR A 1" METER**

DRAWING NO.
175-A

Dinwiddie County Water Authority

23008 Airpark Drive Petersburg, Virginia 23803

Telephone

(804) 861-0998

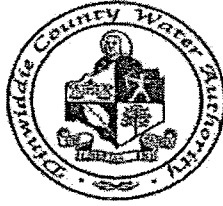
Fax

(804) 861-4270

Joseph R. Patterson
Chairman

John H. Clements
Vice Chairman

Norman C. Olgers, Jr.
Secretary/Treasurer



Gene R. Witt
Board Member

J. Larry Harvell
Board Member

A = Main Water Meter

B = Irrigation Water Meter

Robert B. Wilson, P.E.
Executive Director

Main Street

Dinwiddie County Water Authority Main Water Line

